

The Mangar Sit-u-Up

Patents Pending



Instructions for use

The Mangar Sit-u-Up has been designed to be placed on a bed without the use of securing straps. Power is provided by the Mangar Airflo compressor. **PLEASE READ** the separate Airflo compressor instructions that are supplied separately, before fitting and using your Sit-u-Up.

STANDARD CONTENTS LIST

1 x Sit-u-Up; 1 x Spreader Bar; 1 x Headrest; 1 x Overlay (with cover); 1 x User Instructions.

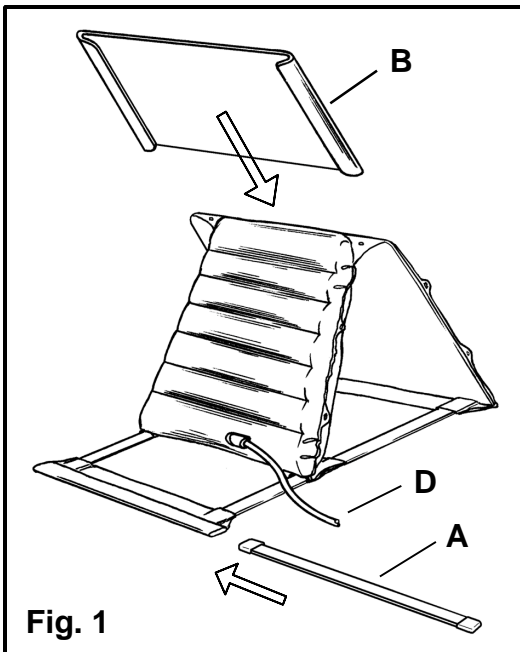


Fig. 1

FITTING INSTRUCTIONS

- Insert the spreader bar (A fig.1).
- Slide the headrest (B fig.1) fully down to the tabs on each side of the backrest.
- Remove the pillows from the bed and place the Sit-u-Up on the bed with the spreader bar positioned up against the headboard. Fold the strut (C fig.2) towards the headboard.
- Lead the air hose (D fig.1), to the side of the bed where the Airflo compressor is to be placed.
- Connect the Sit-u-Up air hose and the hand control as indicated in the separate Airflo compressor user instructions. A standard push button hand control (E fig. 3) is supplied with the Airflo compressor, however, an optional lever hand control (F fig. 3) is also available. Place the compressor by the side or under the bed, in an out of the way position.
- Inflate the Sit-u-Up by pressing 'up' ▲ on the hand control (see separate Airflo compressor instructions).
- Fit the overlay (G fig.4) to the Sit-u-Up by sliding it over the top of the headrest.

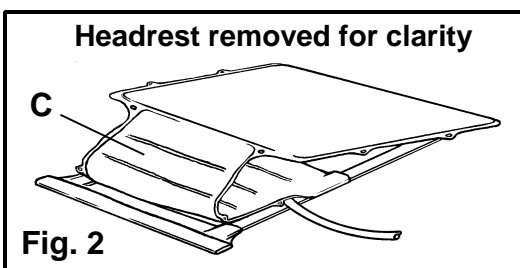


Fig. 2

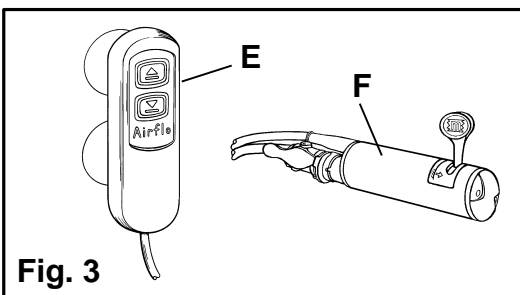


Fig. 3

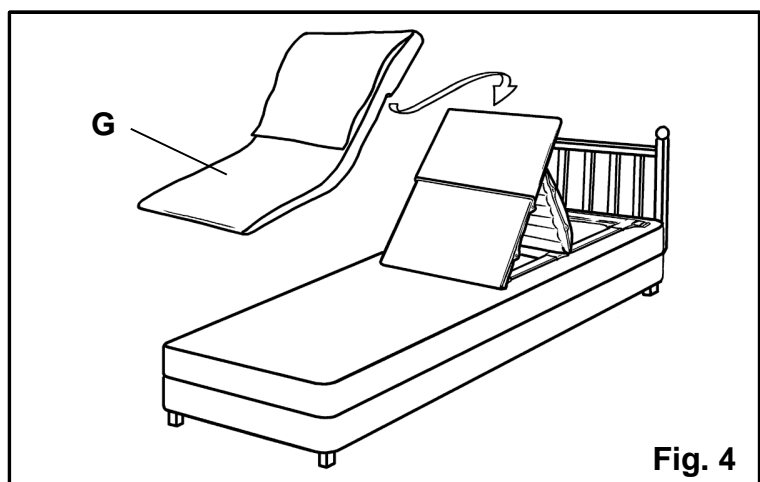
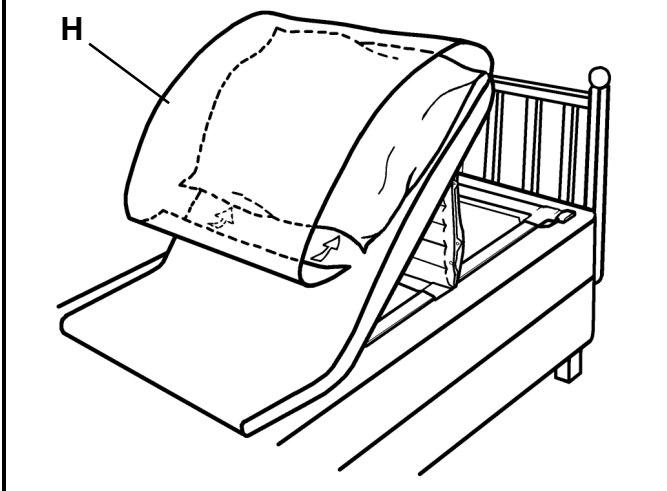


Fig. 4



Fig. 5



- Position your pillow on the Sit-u-Up as indicated (fig. 5) and wrap the flap (H) completely around the pillow to hold it in place.

OPERATING INSTRUCTIONS

- To raise the Sit-u-Up, press 'up' ▲ on the hand control. Release the button to stop at any point.
- To lower the Sit-u-Up, press 'down' ▼ on the hand control.

FOR YOUR SAFETY: Ensure that the Airflo compressor, air hose and hand control lead are kept tidy and do not present a tripping hazard.

ROUTINE CLEANING

Remove the overlay and inflate the Sit-u-Up. Sponge clean with a detergent solution and dry thoroughly. **Do not dry using hot air.** The overlay cover can be machine washed up to 74°C or Dry Cleaned. **Do not bleach or iron.**

DISINFECTING

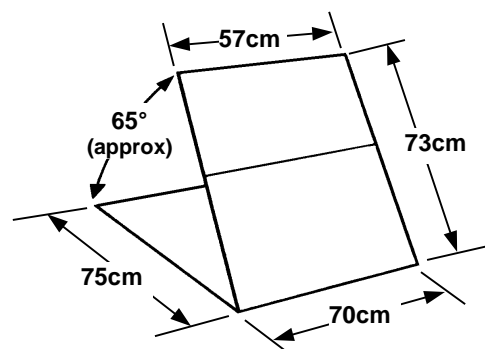
The overlay should be removed and the Sit-u-Up fully inflated. The Sit-u-Up should be pre-cleaned by washing with detergent and water and then disinfected using either buffered hypochlorite (such as 'Milton' solution) or a hard surface alcohol impregnated wipe. **Do not dry using hot air.**

STORAGE

Ensure that the Sit-u-Up is thoroughly dry before storing. Store deflated in a dry place. Keep these instructions in a safe place for future reference.

SPECIFICATIONS –

Weight (inc. carrying bag): 4.8kg
Max. Temperature: 50°C.
Max. Pressure: 0.35 bar (5 psi).
Max. User weight 150kg. (Use with heavier persons will not damage the product, but full lift may not be achieved).



For further information, please contact your local supplier or the Customer Service Department at Mangar International, Presteigne, Powys, LD8 2UF, Wales.

Tel: +44(0)1544 267674 Fax: +44(0)1544 260287 E-mail: customerservice@mangar.co.uk
Website: www.mangar.co.uk